

SERIES M04

Steel Framed Sliding 12mm Panel Door

Product Description

- Bottom roll system with top guide “E” channel
- Anti-jump bottom rollers
- Adjustability of +0” to -4” on width
- Standard sizes fit 4’ , 5’ , 6’ widths and finished opening heights of 79 3/4”-81” and 95 1/2”-96 3/4”
- Safety Backing

Height 80”

(fits finished opening heights 79 3/4” to 81”)

| Model | Width | # of Panels | Weight lbs. | Price |
|--------------|-------|-------------|-------------|------------|
| M04-4’0”x6’8 | 48” | 2 | 58 | Quote Only |
| M04-5’0”x6’8 | 60” | 2 | 73 | Quote Only |
| M04-6’0”x6’8 | 72” | 2 | 87 | Quote Only |
| M04-8’0”x6’8 | 96” | 2 | 115 | Quote Only |

All prices based on white panel. For 12mm panel choices see Appendix B

Height 96”

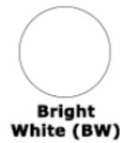
(fits finished opening heights 95 1/4” to 96 3/4”)

| Model | Width | # of Panels | Weight lbs. | Price |
|--------------|-------|-------------|-------------|------------|
| M04-4’0”x8’0 | 48” | 2 | 76 | Quote Only |
| M04-5’0”x8’0 | 60” | 2 | 70 | Quote Only |
| M04-6’0”x8’0 | 72” | 2 | 88 | Quote Only |
| M04-8’0”x8’0 | 96” | 2 | 138 | Quote Only |

All prices based on white panel. For 12mm panel choices see Appendix B



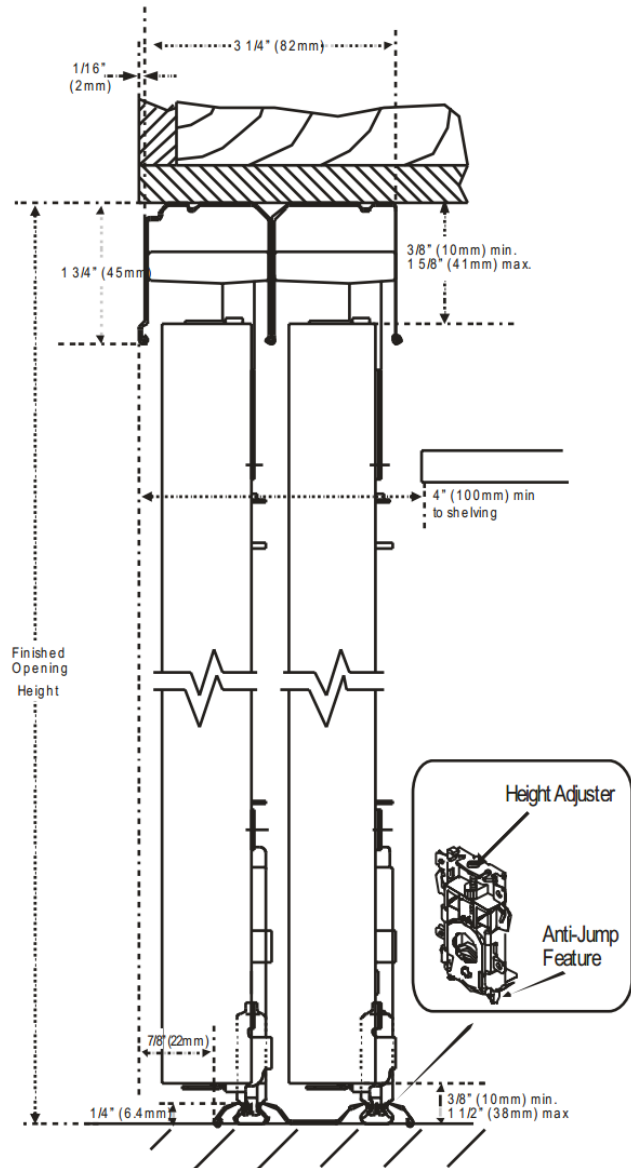
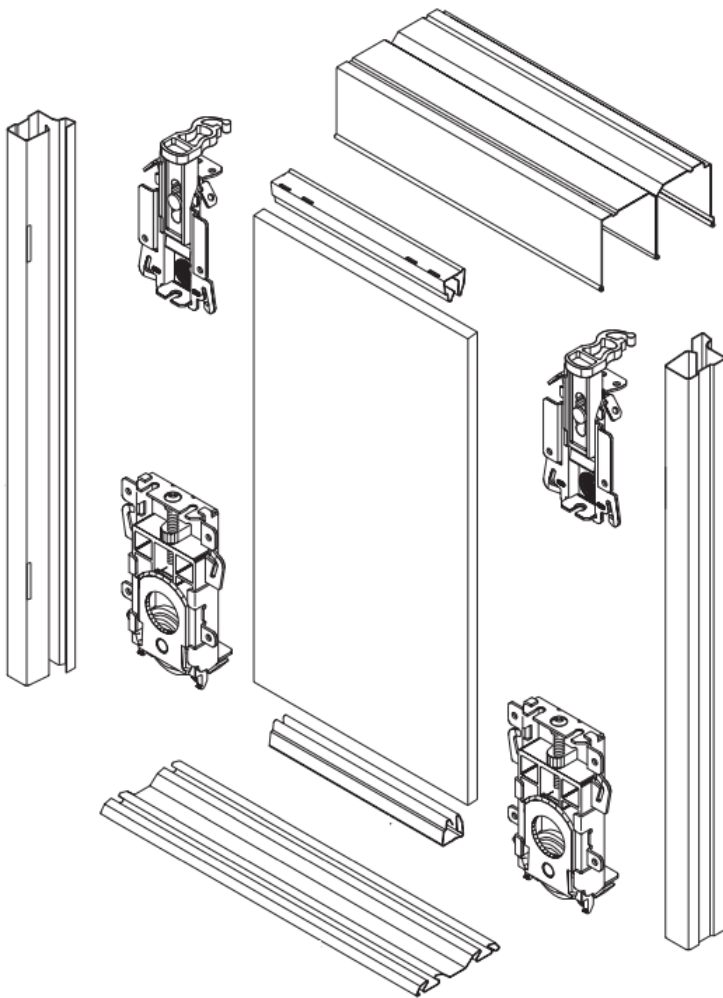
STOCK FRAME FINISHES



BULLDOG

GLASS DOORS

SERIES M04 - Specifications



Insert Thickness: 1/8" (3mm)
Maximum single door size: 48 1/2" wide x 96" high
Maximum single door weight: 85 lbs
Vertical Adjustment: 1 1/8" bottom, 1 1/4" top

Top Track Height: 1 3/4"
Bottom Track Height: less than 5/16"
Top Connectors: plastic guide
Bottom Connectors: ball bearing rollers or solid acetal bearing

Standard Opening Heights:

- 80 1/2" door range: 79 3/4" to 81"
- 96" door range: 95 1/4" to 96 3/4"

Standard Opening Widths:

- Available in 48", 60", 72", 96"
- Custom sizes available up to 192" wide x 96" high

All Bulldog mirror products use safety backed mirror.